



# CJC™ Fine Filter unit 27/-

removes particles, water, oil degradation products and acids from oil

## Product Sheet

### APPLICATION

The CJC™ Fine Filter unit 27/- is an offline filter which simultaneously removes with high efficiency particles, water, oil degradation products and / or acid compounds from oils. The filter is used for applications in the industry, energy, mining, marine and offshore sector.

Typical applications e.g.:

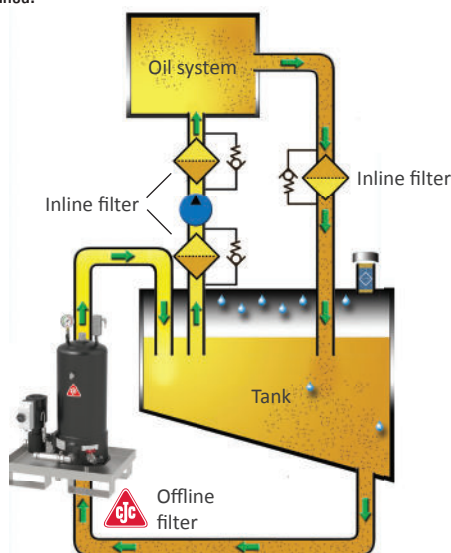
- Hydraulic oils (*presses, test benches, cranes etc.*)
- Lubrication oils (*bearings, gear boxes, engines, compressors etc.*)
- HFD fluids / phosphate ester and other high inflammable fluids (*control systems etc.*)
- HFC fluids / water glycol and other aqueous fluids (*die casting machines etc.*)
- Machining oils (*machine tools etc.*)
- Insulating and tap changer oils (*transformers*)

### ADVANTAGES

- simultaneous removal of particles, water and oil degradation products as well as neutralisation of acids
- constant high oil cleanliness
- no oil related, expensive machine failures
- longer lifetime of oil and components
- longer service life time of the expensive inline filters
- high filter efficiency by continuous fine and depth filtration, independent from the operation of the machine
- optimum filtration capacity by specifically adjusted pump flow

### OFFLINE PRINCIPLE

The offline filtration enables due to the independent circuit an optimum adjustment of pump flow to operating fluid and a fine filtration to a range of 3 µm absolute respectively 1 µm nominal. The CJC™ Fine Filter unit draws the oil from the lowest point of the system tank. Slowly and at a constant flow rate the oil passes the CJC™ depth filter insert radially from the outside to the inside ensuring a long contact of the fluid with the filter media and thereby an enormously high filter efficiency. The oil is returned to the tank close to the suction point of the main system pump. Clean oil is able to loosen already deposited oil degradation products from the surfaces of the components or the tank and to hold them in suspension until finally the whole oil system is cleaned.



| TECHNICAL DATA  |     |  |             |             |             |
|---|-----|--|-------------|-------------|-------------|
| CJC™ Fine Filter unit   |     | 27/27  | 27/54       | 27/81       | 27/108      |
| Oil volume, max.  | L   | 3,000  | 5,000       | 7,000       | 10,000      |
| Oil temperature, max. *)  | °C  | 130  |             |             |             |
| Material filter dome / base   |     | Steel  |             |             |             |
| Pump flow   | L/h | application-oriented, max. 2,700   |             |             |             |
| Power consumption, approx.  | kW  | 0.12 - 1.10  |             |             |             |
| Motor voltage   |     | AC / DC  |             |             |             |
| Pressure drop, max.   | bar | 2  |             |             |             |
| Dry weight, approx.   | kg  | 94   | 109         | 120         | 137         |
| Operating weight, approx.   | kg  | 111  | 144         | 173         | 208         |
| Filter inserts  | pc. | 1  | 2           | 3           | 4           |
| Filter capacity - CJC™ Fine Filter inserts made of cellulose (see product sheets) |     |  |             |             |             |
| Dirt holding capacity, approx.  | kg  | 2  | 4           | 6           | 8           |
| Water holding capacity **)  | L   | 0.9 - 1.3  | 1.8 - 2.6   | 2.7 - 3.9   | 3.6 - 5.2   |
| Filter capacity - CJC™ Filter insert type MS (see product sheets)                 |     |  |             |             |             |
| Water holding capacity, approx.   | L   | 1.5  | 3           | 4.5         | 6           |
| Filter capacity - CJC™ Filter insert type AM, AO, BE (see product sheets)         |     |  |             |             |             |
| Neutralisation capacity (approx. values) with 1,000 L fluid **)                   |     | 0.03 - 0.15  | 0.05 - 0.30 | 0.08 - 0.46 | 0.10 - 0.61 |
| Equipment   |     |  |             |             |             |
| Standard:   |     | <ul style="list-style-type: none"> <li>• Sampling point for oil analyses</li> <li>• Pressure switch for monitoring the degree of saturation of filter inserts</li> <li>• Automatic bleeding and venting valve for quick filter insert replacement</li> <li>• Motor protection switch with integrated ON / OFF switch</li> <li>• Non-return valve to avoid a return flow</li> <li>• Base plate as drip pan</li> </ul> |             |             |             |
| Optional:   |     | <ul style="list-style-type: none"> <li>• Leakage sensor</li> <li>• Prefilter</li> <li>• Electrical control</li> <li>• Continuous air vent</li> <li>• Preheater</li> </ul>  |             |             |             |

\*) Designs for other fluid conditions available on request.

\*\*) Depends on filter insert type.



# CJC™ Fine Filter unit 27/-

removes particles, water, oil degradation products and acids from oil

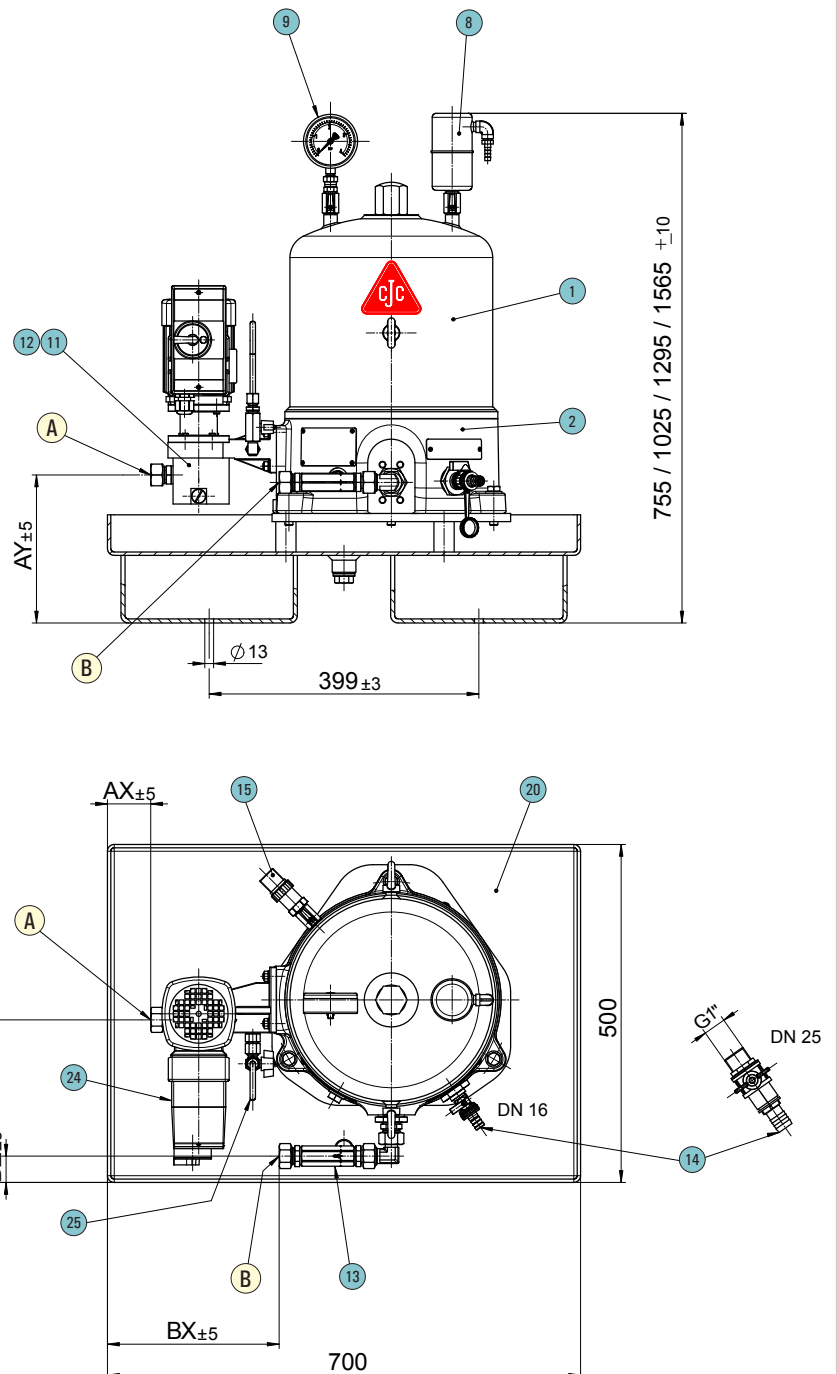
## Product Sheet

| COMPONENTS |   |
|------------|---|
| Item       | Part  |
| 1          | Filter dome                                 |
| 2          | Filter base                                 |
| 8          | Automatic bleeding and venting valve        |
| 9          | Pressure gauge                              |
| 11 / 12    | Pump with motor                             |
| 13         | Non-return valve                            |
| 14         | Drain valve DN 16,<br>DN 25 from size 27/54 |
| 15         | Pressure switch                             |
| 20         | Base plate                                  |
| 24         | Motor protection switch                     |
| 25         | Sampling point                              |
| A          | Suction connection G 1/2" - G 1 1/4"        |
| B          | Filter outlet G 1/2" - G 1 1/4"             |

## DIMENSIONS

Details see drawing no. ZUB15-019-1  
Subject to technical changes.

Free height: 320 / 590 / 860 / 1130



Dimensions in mm